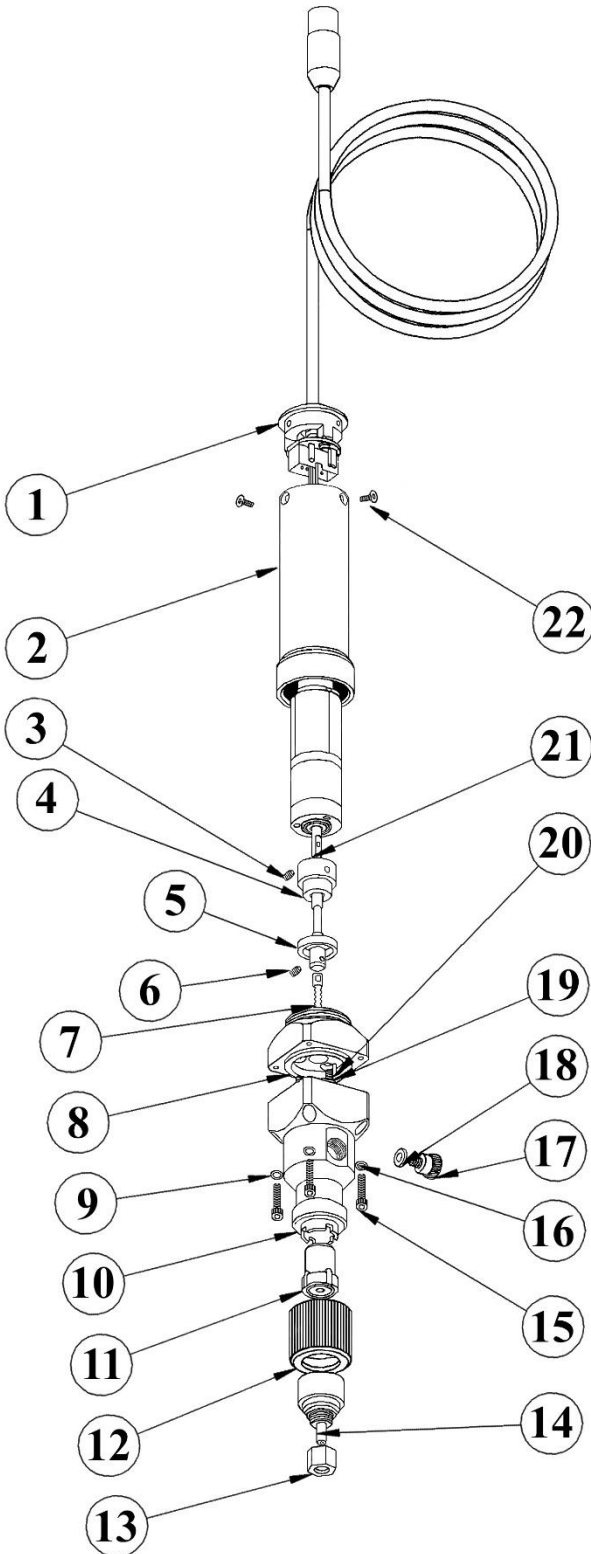
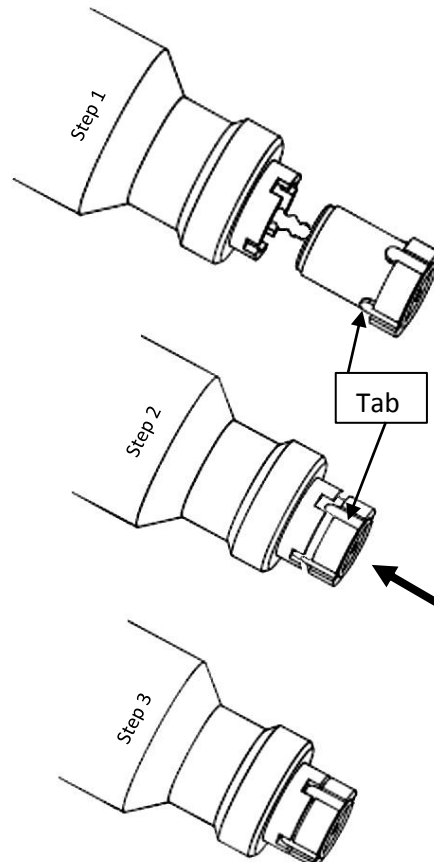


## TS8100-100 Progressive Cavity Pump



Item	Part Number	Description
1	7509-9110	100 Series Cable Assembly
2	7509-0340	Motor Cover
3	2800-0903	M3 x 6mm Set Screw
4	7509-0070	Flex Coupling
5	3300-0586	U-Seal
6	2800-0836	M2.5 x 3mm Set Screw
7	7509-0120	Rotor, 2.5 Pitch
8	7509-0100	Motor Mount Plate
9	2800-0295	Washer, M2.5, Lock, SS (x4)
10	7509-0140	Stator Housing
11	7509-0160	Stator
12	7509-0090	Lock Nut
13	7090-0030	Locking Cap, TE and TT
14	7509-0130	Stator Cap Bottom
15	2800-0897	M2.5 x 14mm Socket Head Screw (x4)
16	2800-0917	Washer #4 NAS 620 (x4)
17	2800-0899	Bleed Hole Thumb Screw
18	2800-0898	Bleed Hole Washer Seal
19	2800-0901	M3 x 6mm Flat Head Philips Screw (x3)
20	3300-0595	Dowel Pin
21	2600-0185	Motor
22	2800-0900	Motor Cover Screw, #4 x ¼ Flat Head Screw (x3)

**Note:** When refitting stator (11), wet the rotor (7) by applying the dispensing fluid, or appropriate lube that is compatible with the dispensing fluid, to the rotor surface, then follow the steps below



**Step 1:** With a little pressure, screw stator clockwise onto rotor until the 4 tabs align with the notches of the stator housing.

**Step 2:** Apply pressure on the stator ensuring the tabs fully seat into the notches of the housing.

**Step 3:** Stator reassembly is completed. Lock nut and stator bottom can now be attached.