



## Product Data Sheet

### TS7000IMP Series

### Rotary Valve

The TS7000 Series IMP Rotary Valves are the latest additions to the Rotary Microvalve family. The valve uses a feed screw to dispense fluid with a rotary displacement action, allowing ultra-precise control of the dispensing process.

The valve's modular design allows quick and easy replacement of the feed screw/chamber (cartridge assembly) without removing the valve from the machine. In addition, the valve cartridge assembly can be interchanged to be used with TS5000DMP feed screw inserts – The 7000-DMPBKIT retrofit kit is required.

The TS7000 Series IMP valve is available in 4 choices of feed screw sizes (8-pitch, high output 8-pitch, 16-pitch and 32-pitch), all made of precision hardened tool steel.

The valve is shipped with the following items:

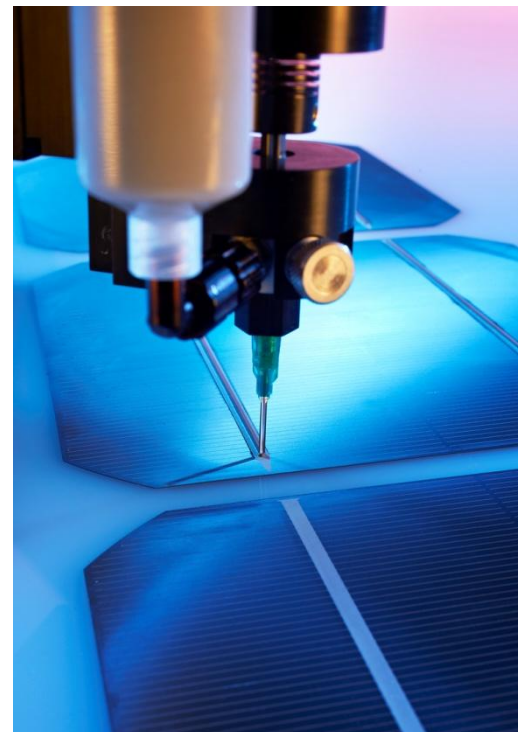
- Mounting bracket kit (including syringe bracket)
- 30/55cc receiver head assembly
- DIN Connector
- TS-SS Series Luer retaining cap
- Dispensing tip selection pack

### TYPICAL APPLICATIONS

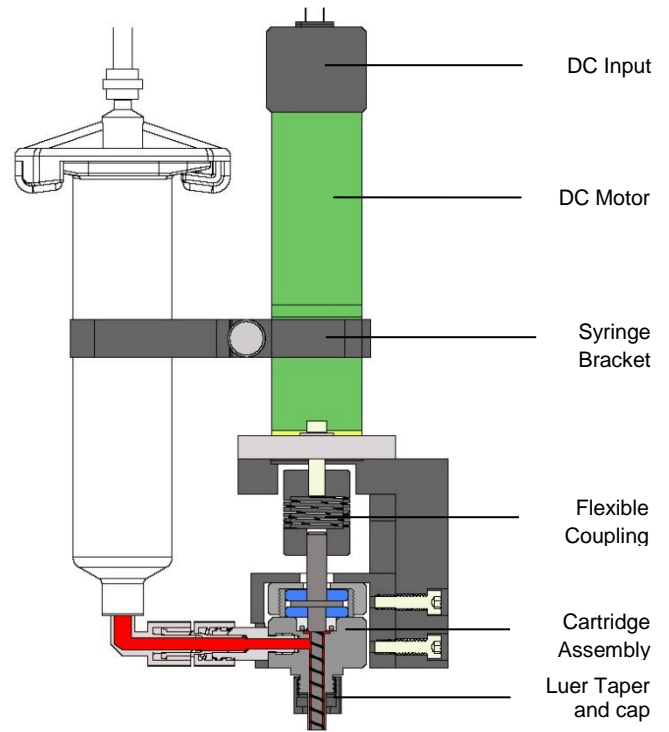
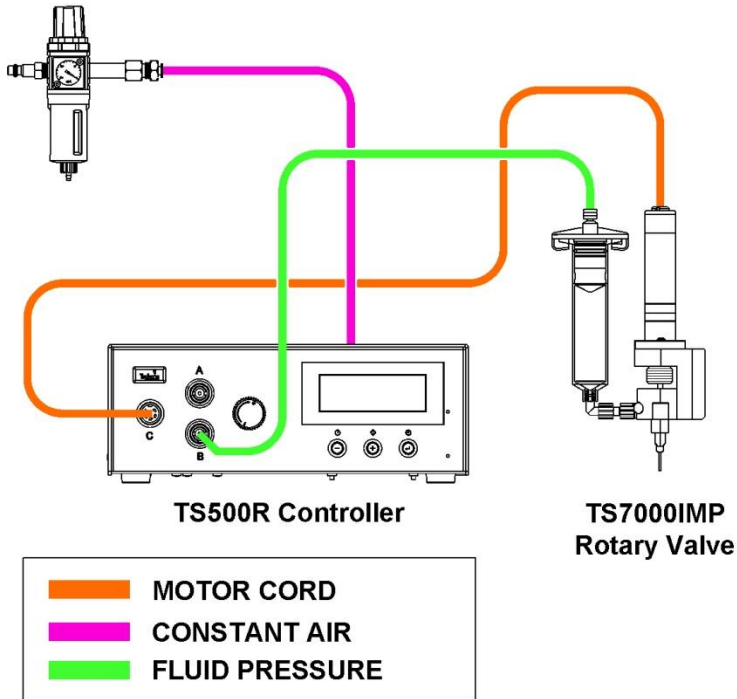
- Laying a solder paste bead in solar cell tabbing
- Dispensing small deposits of SMA in PCBA production
- Dispensing high viscosity encapsulant in “glob top” applications

### KEY FEATURES AND BENEFITS

- 3 position syringe mounting options
- “Divorced” wetted parts
- Quick release cartridge removal
- Luer taper and cap for easy tip integration



## TYPICAL SETUP



## SPECIFICATIONS & PART NUMBERS

Series Number:	<b>TS7000IMP</b>
Size (Imperial):	See drawing
Size (Metric):	See drawing
Weight:	0.96 lb (438g)
Fluid Inlet Port:	Luer lock female
Fluid Outlet Port:	Luer taper and cap
Input Voltage Range:	4 - 24VDC
Max Fluid Pressure:	30 psi (2.07bar)
Operating Frequency:	300+ cycles/min.
Mounting Port:	1"/25.4mm channel
Viscosity Range:	30K - 1 300Kcps

Wetted Parts: 303 SS, UHMWPE, Hardened Tool Steel, Nylon

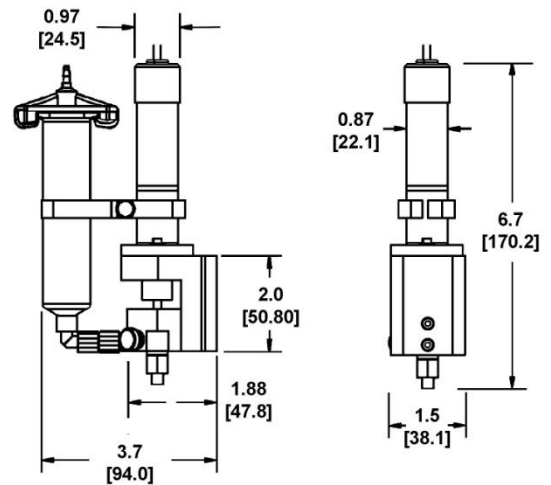
### TS7000IMP Part Number Options:

TS7000-8	IMP Rotary Valve 8P
TS7000-8HO	IMP Rotary Valve 8P High Output
TS7000-16	IMP Rotary Valve 16P
TS7000-32	IMP Rotary Valve 32P

## ACCESSORIES

- Dispensing Tips:** Precision TE, TT or TS-SS Series dispensing tips, are required for this valve type.

Dimensions are in inches [mm]



For Sales and Support:

# DispenseRite