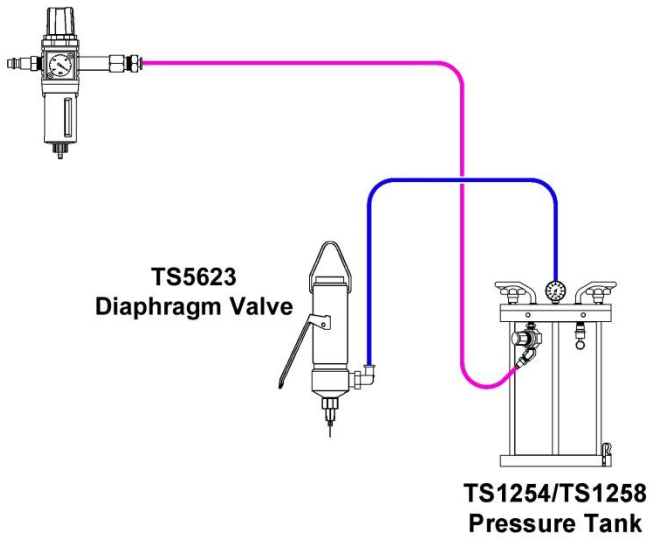
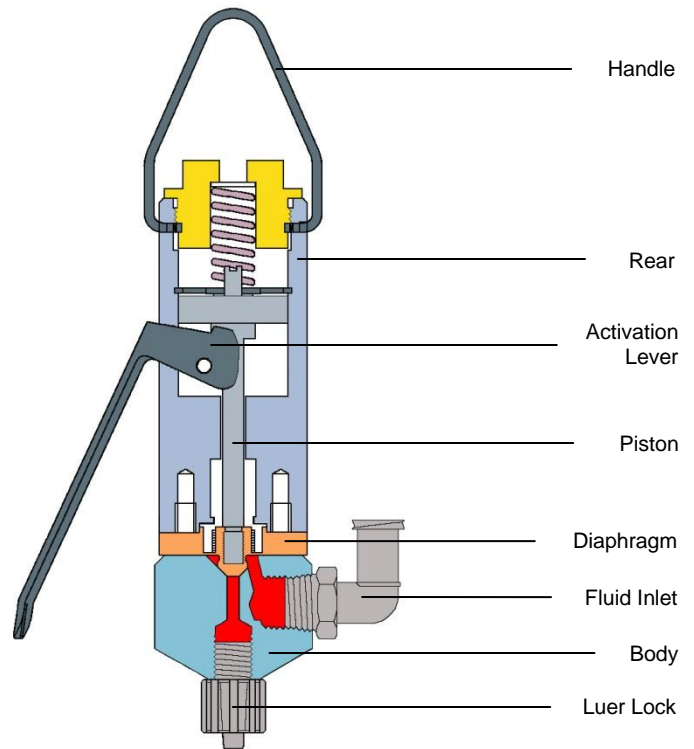


TYPICAL SETUP



■ FLUID
■ CONSTANT AIR



SPECIFICATIONS & PART NUMBERS

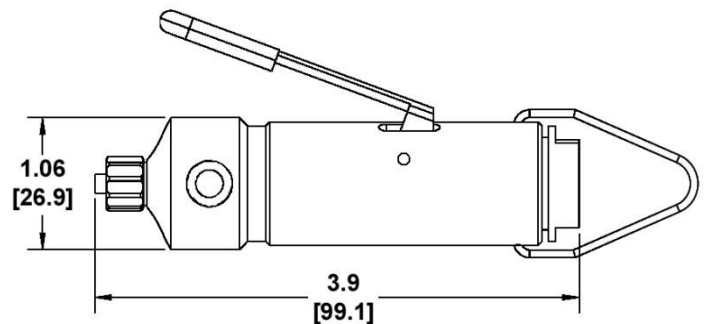
Part Number:	TS5623 Series
Size (Imperial):	3.9" Length x 1.06"
Size (Metric):	99.1mm x 26.9mm
Weight:	See below
Fluid Inlet Port:	1/8" NPT female
Fluid Outlet Port:	Luer lock male
Max Fluid Pressure:	70 psi (4.8bar)
Viscosity Range:	1 - 50 000cps

Wetted Parts	TS5623HU	0.227 lb (103g)	UHMWPE
And Weight	TS5623HT	0.257 lb (117g)	Teflon®
	TS5623HD	0.245 lb (111g)	UHMWPE, Delrin® (UHMWPE = Ultra High Molecular Weight Polyethylene)

ACCESSORIES

- Fluid reservoirs:** The valve can be fed from the TS1254 or TS1258 Pressure Tank, or from any size syringe barrel or cartridge.
- Dispensing Tips:** Specially designed "TF" Teflon® lined tips are recommended when dispensing Cyanoacrylate (CA). The lining prevents premature cure.

Dimensions are in inches [mm]



For Sales and Support:

DispenseRite