



Product Data Sheet

TS5620 Series

Horizontal Diaphragm Valves

The TS5620 Series Vertical Diaphragm Valves are designed to dispense low to medium viscosity fluids with precision accuracy over a wide range of shot and bead sizes, down to a fraction of a micro liter. An internal spring return makes the valves fully adaptable for use with Techcon Systems controllers. A short opening stroke provides extremely fast, positive shut-off. An external stroke control adjustment makes it easy for the operator to fine tune shot sizes. The compact design allows for mounting flexibility and easy integration into automated applications.

The seal-less valve design features excellent moisture sensitive resistance and the incorporated diaphragm creates a barrier between the wetted parts and the air cylinder.

With a choice of UHMWPE (Ultra High Molecular Weight Polyethylene), Delrin® or Teflon® fluid bodies, the TS5620 Series Valve can handle a wide range of industry fluids.

The valve is shipped with the following items:

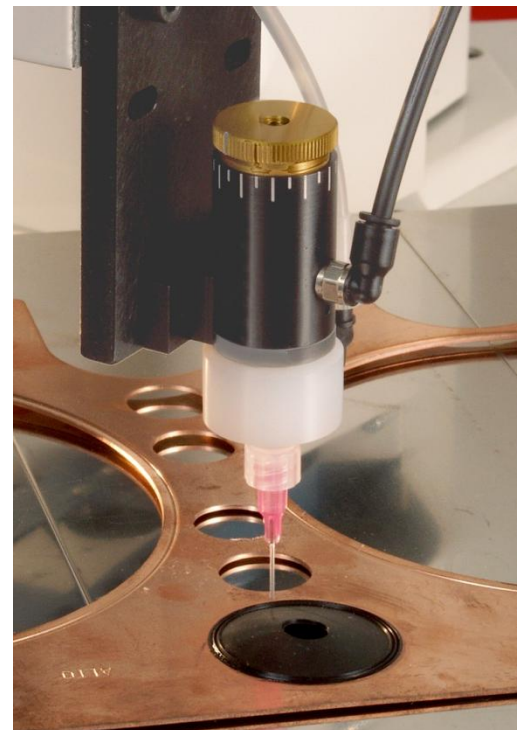
- Mounting bracket kit
- Valve air hose
- Luer lock fluid line
- Fluid inlet fittings - 1/4" compression and Luer lock type
- Dispensing tip selection pack

TYPICAL APPLICATIONS

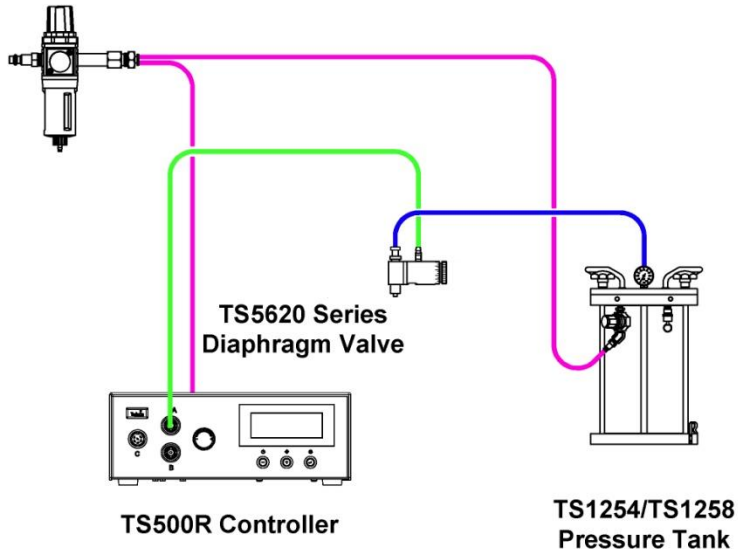
- Dispensing Anaerobic thread locker onto screw threads
- Dispensing Cyanoacrylate in bonding applications
- Applying a of UV lacquer in CD/DVD spin coating applications (using Acetal fluid housing)

KEY FEATURES AND BENEFITS

- Long cycle life
- Compact size and weight
- Excellent moisture sensitive resistance
- Choice of body for chemical compatibility



TYPICAL SETUP



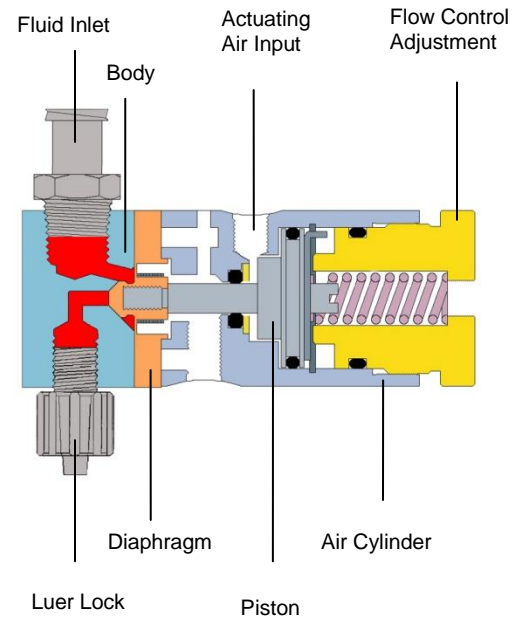
SPECIFICATIONS & PART NUMBERS

Part Number:	TS5620 Series		
Size (Imperial):	See drawing		
Size (Metric):	See drawing		
Weight:	See below		
Fluid Inlet Port:	1/8" NPT female		
Fluid Outlet Port:	Luer Lock male		
Aux Air Inlet Port:	10-32 UNF female		
Activation Pressure Range:	70 psi - 90 psi (4.8bar - 6.2bar)		
Max Fluid Pressure:	70 psi (4.8bar)		
Operating Frequency:	400+ cycles/min.		
Mounting Port:	10-32 UNF female		
Viscosity Range:	1 - 50 000cps		

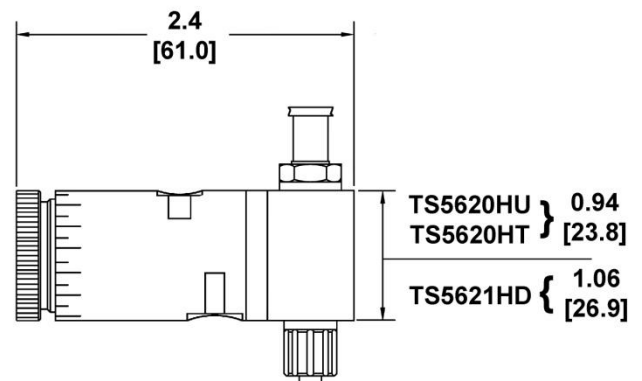
Wetted Parts	TS5620HU	0.13 lb (60g)	UHMWPE
And Weight	TS5620HT	0.15 lb (69g)	Teflon®
	TS5621HD	0.15 lb (70g)	UHMWPE, Delrin® (UHMWPE = Ultra High Molecular Weight Polyethylene)

ACCESSORIES

- Fluid reservoirs:** The valve can be fed from the TS1254 or TS1258 Pressure Tank, or from any size syringe barrel or cartridge.



Dimensions are in inches [mm]



For Sales and Support:

DispenseRite