



Product Data Sheet

TS5540-MS Microshot Spray Valve

The TS5540-MS Spray Valve is designed for precise spray applications of low viscosity fluids. An external stroke control makes it easy for the operator to fine-tune fluid flow. Total control of the spray cycle is provided by adjustable fluid flow and precise control of pre-spray, atomizing air and post spray with the TS500R Multi-Purpose Digital Controller. Downtime is virtually eliminated with only one seal to replace during normal maintenance. The TS5540-MS Spray Valves comes with FDA-Compliant 303 stainless steel construction in both air cylinder and fluid housing. A field replaceable Teflon® seat provides positive shut off and very long life cycles. The compact design allows for easy integration into automated applications.

The TS5540-MS Spray Valve is designed to spray low to medium viscosity fluids, through disposable dispensing tips. The innovative design enables the valve to produce uniform spray patterns ranging from 0.18" - 0.60" (4.6mm - 15mm) in diameter.

The valve is shipped with the following items:

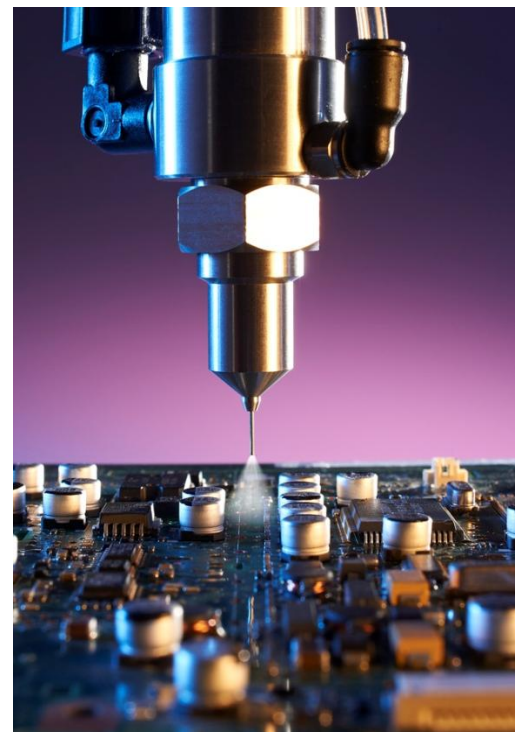
- Mounting bracket kit
- Valve air hoses
- Luer lock fluid line
- Fluid inlet fittings - 1/4" compression and Luer lock type
- Dispensing tip selection pack

TYPICAL APPLICATIONS

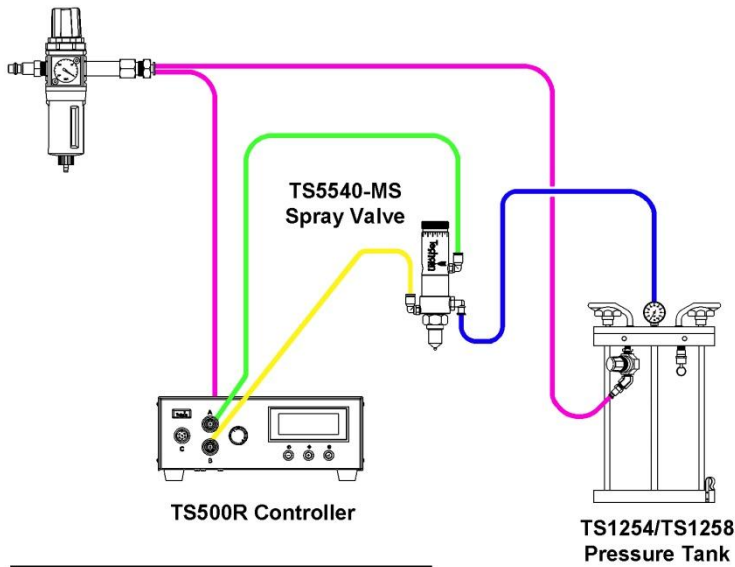
- Spraying activator onto plastic components prior to bonding
- Spraying oil onto metal components for lubrication purposes
- Spraying conformal coating between high components on PCBA

KEY FEATURES AND BENEFITS

- No overspray
- Long life cycles
- Uniform spray pattern
- Extended tip/nozzle sprays between high components



TYPICAL SETUP

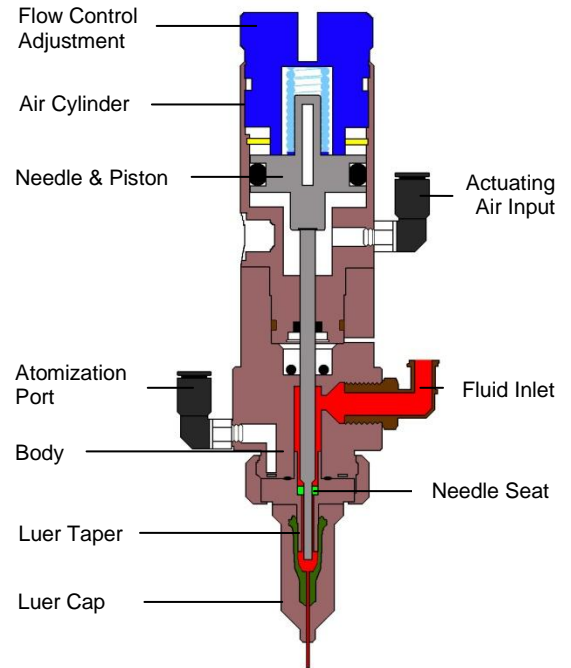


SPECIFICATIONS & PART NUMBERS

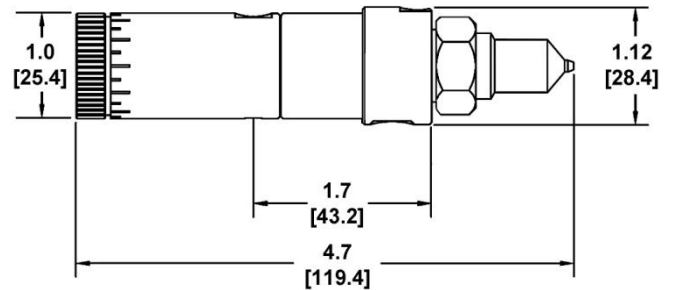
| | |
|----------------------|----------------------|
| Part Number: | TS5540-MS |
| Size (Imperial): | 4.7" Length x 1.12" |
| Size (Metric): | 119.4mm x 28.4mm |
| Weight: | 0.73 lb (331g) |
| Fluid Inlet Port: | 1/8" NPT female |
| Fluid Outlet Port: | Spray cap |
| Aux Air Inlet Port: | 10-32 UNF female |
| Activation Pressure: | 70 psi (4.8bar) Min. |
| Max Fluid Pressure: | 100 psi (6.9bar) |
| Operating Frequency: | 400+ cycles/min. |
| Mounting Port: | 1/4-20 UNC-2B female |
| Viscosity Range: | 1 - 5 000cps |
| Wetted Parts: | 303 SS, Teflon®, |

ACCESSORIES

- **Fluid reservoirs:** The valve can be fed from the TS1254 or TS1258 Pressure Tank, or from any size syringe barrel or cartridge.
- **Dispensing Tips:** Precision TE Series dispensing tips



Dimensions are in inches [mm]



For Sales and Support:

DispenseRite