



## Product Data Sheet

### TS250 Series

### Entry Level Dispenser

The TS250 Series Dispenser/Controller dispenses low, medium and high-viscosity fluids accurately and consistently. These systems are economical, highly accurate and repeatable micro-air dispensing systems.

These user friendly fluid dispensing systems include digital timer with rotary control time knob for easy setup, and a vacuum control for all viscosities of fluids. Features a small footprint and is lightweight.

The rear DB9 interface connector has the ability to initiate the dispensing cycle by an external device by way of a voltage or contact closure signal.

Available in two versions of operating pressure: 0 to 100psi (0-6.9 bar) for general applications, and 0 to 15psi (0-1.0 bar) for specific low viscosity applications.

The dispenser is shipped with the following items:

- Universal power supply
- Foot switch
- Air hose
- Sample tips
- 10cc syringe barrel and receiver head
- Syringe barrel stand

### TYPICAL APPLICATIONS

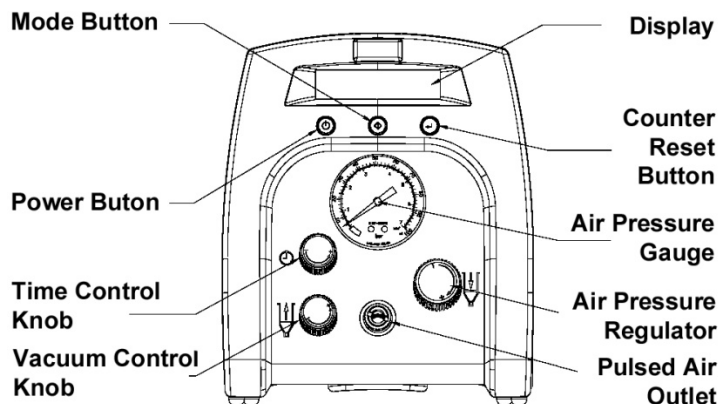
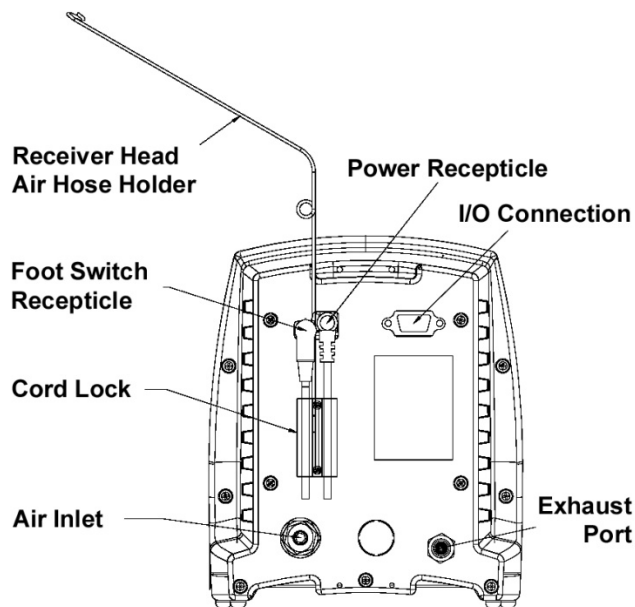
- Dispense dots of solder paste on PCBA pads
- Dispense UV adhesive in medical device applications
- Dispensing beads of grease for lubrication applications

### KEY FEATURES AND BENEFITS

- Universal power supply for worldwide use
- 16 x 2 LCD display with back lighting
- Digital timing from 0.020 – 60 seconds
- Adjustable vacuum suck back to control fluid tailing and waste



## IDENTIFICATION OF FEATURES



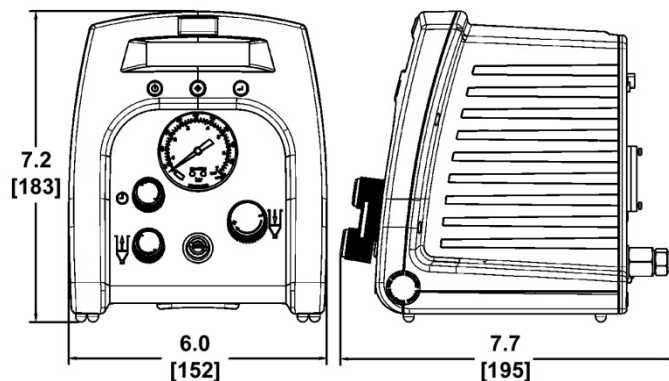
## SPECIFICATIONS & PART NUMBERS

Part Number:	TS250	TS255
Size (Imperial):	6" W x 7.7" L x 7.2" H	6" W x 7.7" L x 7.2" H
Size (Metric):	152mm x 195mm x 183mm	152mm x 195mm x 183mm
Weight:	2.6 lb (1200g)	2.6 lb (1200g)
Pressure Range:	0 to 100psi (0-6.9 bar)	0 to 15psi (0-1.0 bar)
Cycle Rate:	600/min.	600/min.
Timing Range:	0.020 – 60 seconds	0.020 – 60 seconds
Timing Repeat Tolerance:	+/- 0.001%	+/- 0.001%
Input Voltage:	100 – 240 VAC	100 – 240 VAC
Input Frequency:	50 – 60 Hz	50 – 60 Hz
Cycle Modes:	Timed, Purge	Timed, Purge
Certification:	CE, TUV-GS and NRTL	CE, TUV-GS and NRTL

## ACCESSORIES

- **Syringe barrels:** The dispenser can be connected to any size syringe barrel or color. The syringe barrels connect to a receiver head which is the link between the dispenser and syringe barrel. Receiver heads are available with 3ft (0.9m) or 6ft (1.8m) air tubing
- **Dispensing Tips:** Suitable for use with all tip series.

Dimensions are in inches [mm]



For Sales and Support:

# DispenseRite