

MD2 Valve Accessories

Plastic Tubing for Air Signal Lines

Part No.	Description
514607	5/32 in. O.D. Nylon
C12509	1/4 in. O.D. Nylon

Mixers and Shroud

ID x # elements	50 pack	250 pack	Shroud
3/16 x 32	LC0077	LC0084	LC0063
1/4 x 24	LC0078	LC0085	LC0057
3/8 x 24	LC0079	LC0086	LC0058
3/8 x 36	LC0080	LC0087	LC0059
3/8 Combo	LC0081	LC0088	LC0060
3/16 x 32 Luer Lock	LC0082	LC0089	LC0061
1/4 x 24 Luer Lock	LC0083	LC0090	LC0062

**Mixers can be trimmed as needed.*

Nose Piece Accessories

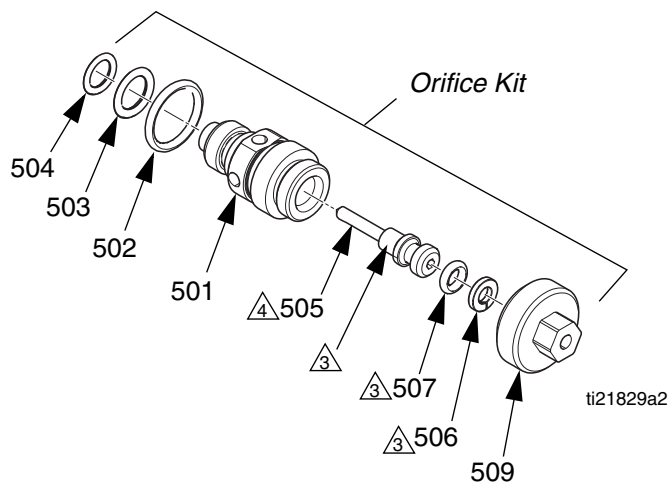
Part No.	Description	Notes
15K652	1:1 nightcap	PTFE cap to protect the 1:1 outlet when not in use
15V628	10:1 nightcap	PTFE cap to protect the 10:1 outlet when not in use
255247	1:1 ratio check nozzle	Splits the flow on 1:1 valves to facilitate ratio checks
24P850	10:1 ratio check nozzle	Splits the flow on 10:1 valves to facilitate ratio checks
111516	10:1 ratio check nozzle o-ring, small	Replacement o-ring for 24P850
116768	10:1 ratio check nozzle o-ring, large	Replacement o-ring for 24P850
258687	10:1 check tip	Assembly for low volume side material that is very thin
256793	Tool	Assembly tool to aid in the installation and removal of injector tube 15V623
15K688	7/8-9 retaining nut	Use to hold 15K652, 255247 and 255245 on to valve

Orifice Kits

In the following table, shaded rows indicate “Super Standard” items that are typically stocked and provide the best delivery dates.

Impingement Port Size		Kit Type and Kit Number	
in.	mm	250 Model Polyol Orifice Kit	250 Model Iso Orifice Kit
0.016	0.41	24C805	24D229
0.020	0.51	24C751	24D223
0.024	0.61	24C806	24D230
0.028	0.71	24C807	24D231
0.031	0.79	24C752	24D224
0.035	0.89	24C808	24D232
0.039	0.99	24C809	24D233
0.042	1.07	24C810	24D234

Impingement Port Size		Kit Type and Kit Number	
in.	mm	250 Model Polyol Orifice Kit	250 Model Iso Orifice Kit
0.047	1.19	24C753	24D225
0.052	1.32	24C811	24D235
0.055	1.40	24C812	24D236
0.060	1.52	24C754	24D226
0.063	1.60	24C813	24D237
0.067	1.70	24C755	24D227
0.073	1.85	24C815	24D238
0.086	2.18	24C756	24D228



3 Apply a light coating of lubricant to seals and surfaces specified.

4 Fasten stem (505) into housing (501). Fasten cap (509) onto housing (501) and torque to 60-70 in-lb (6.8-7.9 N•m). Unscrew stem (505) until it bottoms out against cap (509).

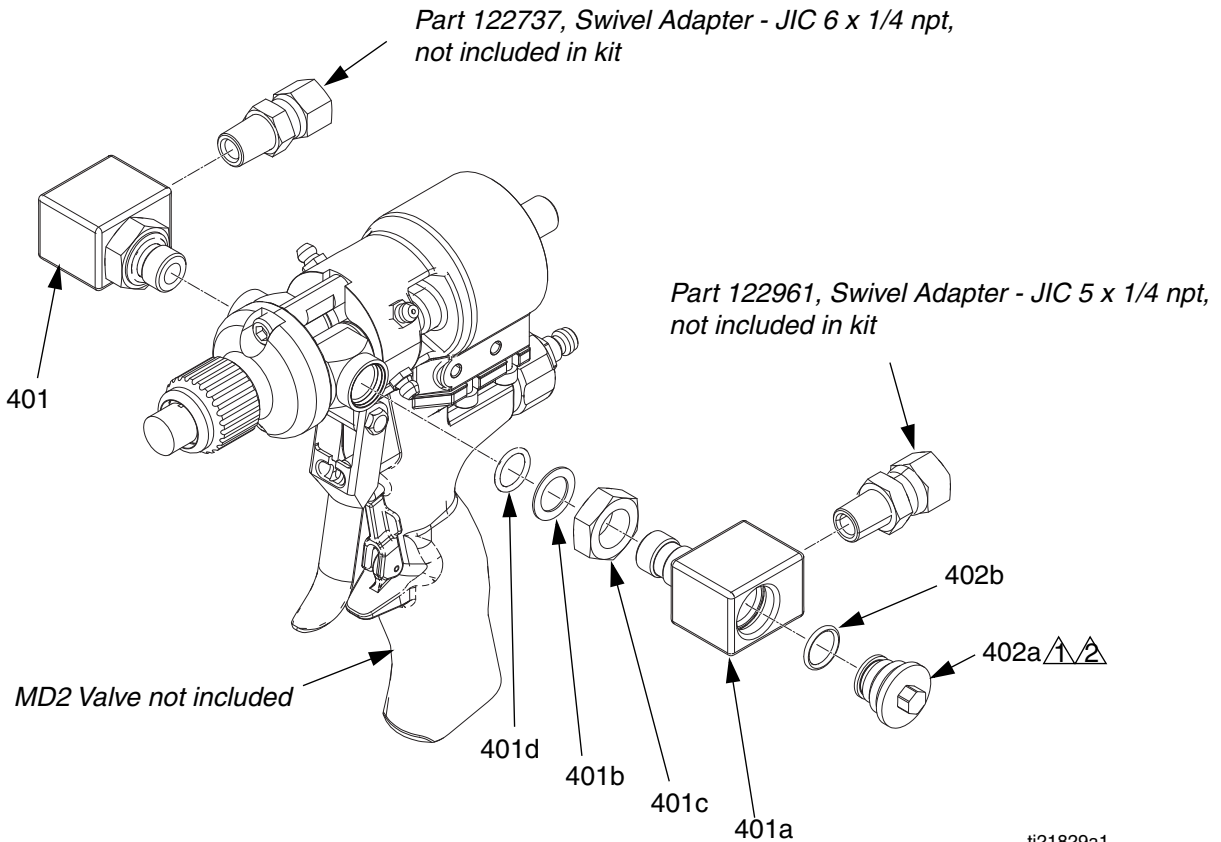
Ref.	Part	Description	Qty
501	---	HOUSING, orifice	1
502†‡	---	O-RING, 0.63 in. diameter	1
503†	---	O-RING, 0.44 in. diameter	1
504†◆	---	O-RING, 0.37 in. diameter	1
505	---	STEM, valve	1
506†	---	RING, backup, PTFE	1
507†	---	O-RING, 0.28 in. diameter	1
509	---	CAP, orifice	1
510	---	TOOL, cleanout; #78 drill bit (not shown)	1


† Parts included in kit 24D321.


‡ Parts included in kit 248130 (pack of 6).

◆ Part included in kit 248128 (pack of 6).

24E505 Orifice Block Kit



 Lubricate all o-rings and specified surfaces.

 Torque to 20-30 in-lb (2.2-3.4 N•m).

ti21829a1

Ref.	Part	Description	Qty
401		HOUSING, orifice, assy; includes 401a-401d	1
401a		HOUSING, orifice	1
401b		WASHER	1
401c		NUT	1
401d	123886	O-RING	1
402		KIT, orifice block plug; includes 402a and 402b	1
402a		PLUG, orifice	1
402b	117724	O-RING	1

24E505 does not include an MD2 valve. See **MD2 Valve Models** on page 2.

24E505 does not include swivel adapters. Swivel adapters 122961 and 122737 must be purchased separately.

See manual 3A0861 for ratio check assembly 24F227.

Valve Accessories

551351 Short Throw Spacer

A spacer under the air piston that limits how far the fluid needles push open. It reduces the amount of material surge when the valve opens, and reduces the amount of snuff-back available. Used for dispensing low flow small diameter beads. For 255180 and 255182 only.

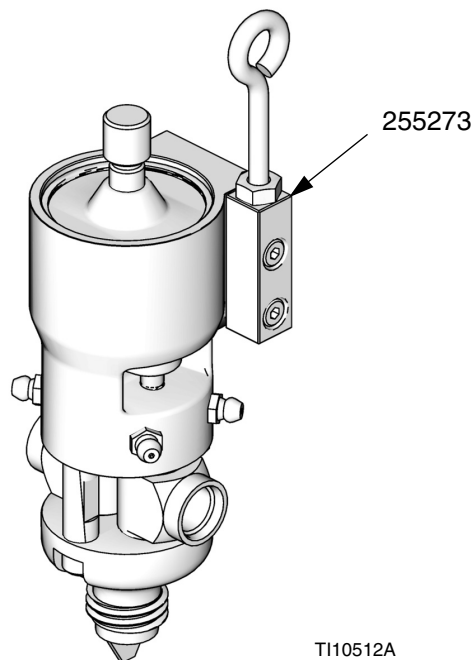
123660 Extension Cable, 6.0 m (19.7 ft)

For locating the valve further from the base system than allowed with the original cable provided. For use with the electric handle 255208 and actuated lever 255249.

Conversion Kits

Part No.	Description	Notes
255206	Pneumatic Handle	Convert any valve to a hand held valve with an internal pneumatic 4-way valve. See page 23.
255208	Electric Handle	Convert any valve to a hand held valve with an internal normally open switch. See page 22.
255249	Electric Lever Switch	Convert any valve to a hanging valve with an internal normally open switch. See page 24.
255273	Hanger Adapter	Add to any hand held valve to allow it to be hung.
123902	Cable	Replaces trigger cable included with electric handle 255208 and actuated lever 255249. For converting handle/lever to connect to systems previously connected to a TwinMixer [®] gun. Use pins 1 (brown) and 3 (blue).

Hanger Adapter



TI10512A

Front Valve Repair Kits

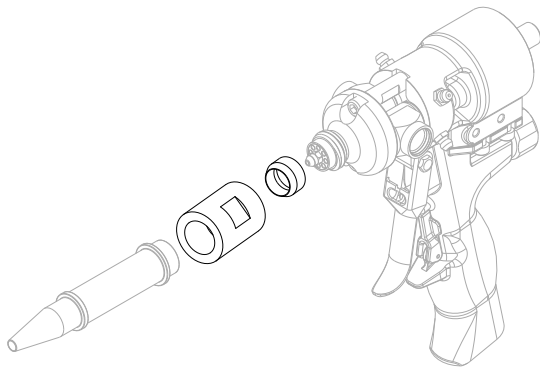
Part No.	Description
255219	Repair Kit for adjustable snuff-back valves 255179 and 255181 only.
255220	Repair Kit for non-adjustable snuff-back valves 255180, 255182, and 255183 only.

Front Soft Kits

Part No.	Description
17T041	Soft Seat
17T042	Hard Seat

G 1/2 Outlet Kit

Part No.	Description
16T802	Adapter to allow for the mounting of G 1/2 threaded mixers. Applicable for 10:1 MD2 valves only.



r_16t802

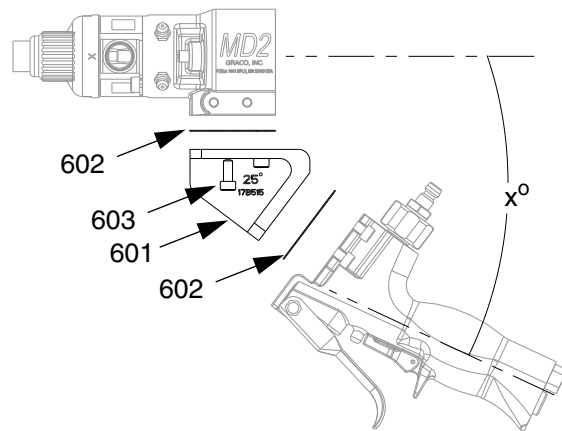
Angled Adapter Kits

24W045 - 25° angle

24W046 - 15° angle

24W047 - 5° angle

Ref.	Part	Description	Qty.
601	17B515	25° adapter block	1
	17B516	15° adapter block	1
	17B517	5° adapter block	1
602	15K661	GASKET, handle	2
603	117026	SCREW, socket head, M5x12	8



Super Repair Kits

Part No.	Description
17T039	Includes 255217, 255218, and 255220
17T040	Includes 255217, 255218, and 255219