

## MD2, 24P217

⚠ Apply pipe sealant to all male threads as needed.

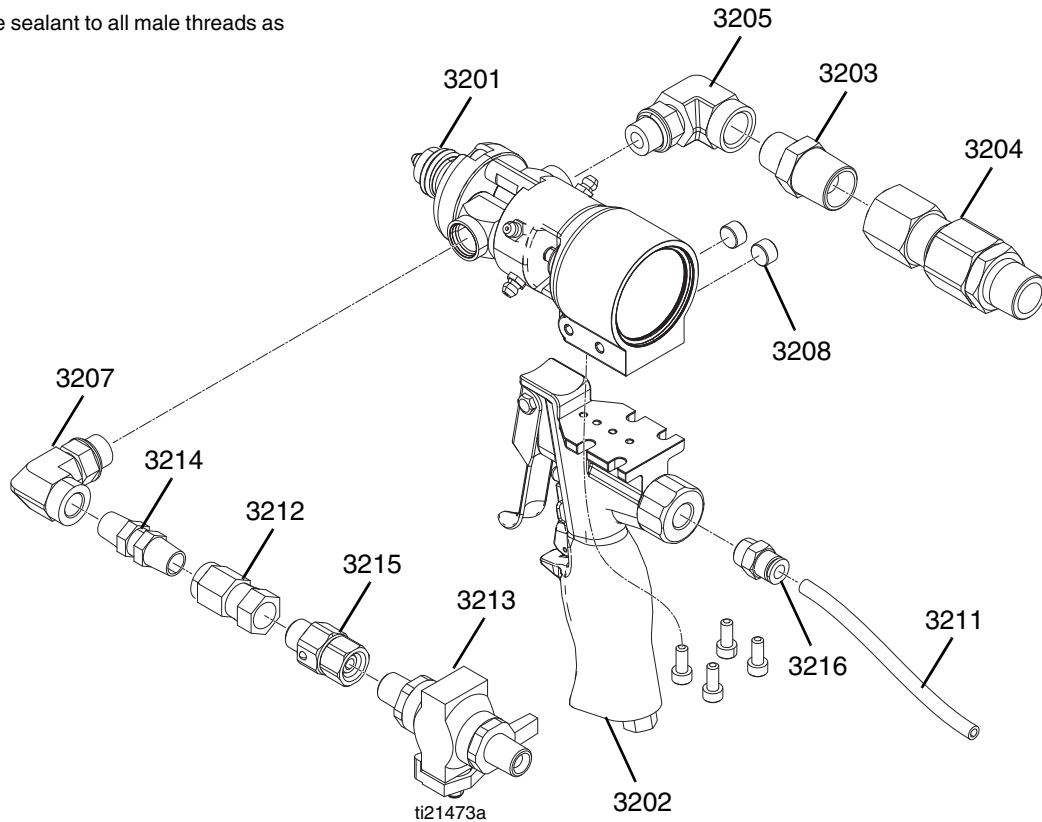


FIG. 39: MD2

Ref	Part	Description	Quantity
3201❖	255182	VALVE, dispense, 10:1, hard seats	1
3202	255206	HANDLE, 2k dispense valve, air	1
3203	159239	FITTING, nipple, pipe	1
3204	207947	SWIVEL, straight, 1/2nptf x 1/2nptm	1
3205	127104	FITTING, elbow, 3/8nptxsae06	1
3207	122969	FITTING, elbow, 1/4nptxsae06	1
3208	104765	PLUG, pipe headless	2
3210	15W744	SLEEVE, protective	30
3211	C12509	TUBE, nylon	30
3212	155570	SWIVEL, union	1
3213	214037	VALVE, ball	1
3214	195898	VALVE, check, 1/4 npt (m)	1
3215	189018	SWIVEL	1
3216	125428	FITTING, connector, male, 1/4 nptf	1

❖ Refer to the specific component manual for more details.