

# 1K Ultra-Lite

## Precision Dispense Valve for Quality Bead Dispensing

1K Ultra-Lite valves are top-of-the-line, lightweight valves designed for long service.

### Features and Benefits

- Lightweight and compact
- Lubricated packings for longer seal life
- Severe-Duty needle and seat
- Eliminates snake-head and material drip
- Adjustable forward travel to reduce material surge
- Manual and automatic versions available
- Pistol grip version provides pilot on/off signal to control pump

### Typical Applications

- Railcar sealing
- Truck trailer sealing
- Marine container sealing
- Product assembly for wood windows and doors
- Automatic bead laying with robot or XY table

### Typical Fluids Handled

- Epoxies
- Silicones
- Polysulfides
- Urethanes
- Butyl



965767  
Internal Air Switch



965768  
Electric Switch

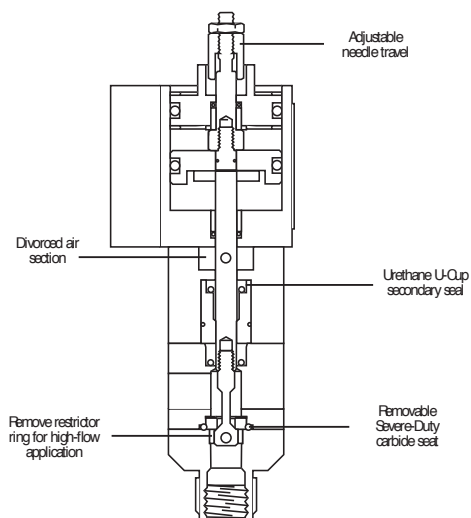
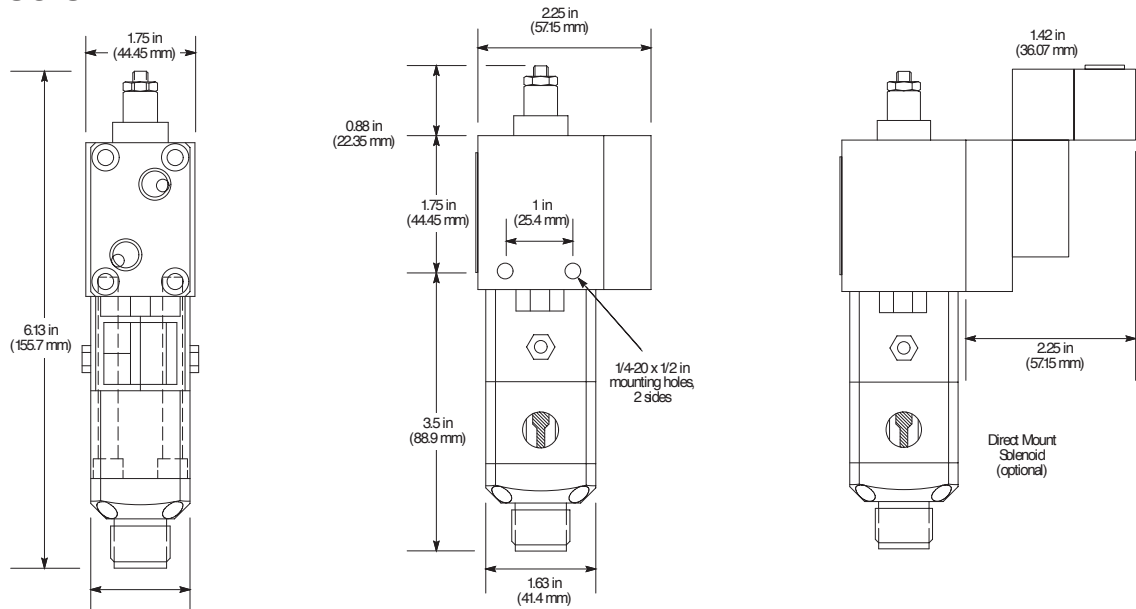


Machine Mount  
965766 SST  
965786 Aluminum

# 1K Ultra-Lite

## Precision Dispense Valve for Quality Bead Dispensing

### Dimensions



### Technical Specifications

Maximum fluid outlet pressure	... .4000 psi (276 bar; 28 MPa)
Fluid viscosity range	... .20 to 1 million cps
Maximum cylinder air pressure	... .120 psi (8.4 bar; 0.84 MPa)
Fluid inlet size	... .1/4 npt(f)
Fluid outlet size	... .1/4 npt(f) and 3/4-16 unf(m)
Air inlet size	... .1/8 npt(f)
Shaft sealing fluid section	... .dual seal isolation chambers with Zirk fittings
Air cylinder	... .divorced
Wetted materials	
Aluminum	... .Aluminum, 303 SST, 17-4 ph SST, C2 carbide, hard chrome, ethylene propylene, Parker Polymite™, PTFE
SST 303 SST, 17-4 ph SST, C2 carbide, hard chrome, ethylene propylene, Parker Polymite™, Du Pont PTFE	
Weight	
Aluminum	... .1.43 lbs (0.65 kg)
SST	... .2.07 lbs (0.94 kg)
Handle kit	... .0.77 lbs (0.35 kg)
Instruction manual	... .308876

*Polymite® is a registered trademark of Parker. All other trademarks mentioned herein are the property of their respective owners.*

# 1K Ultra-Lite

## Precision Dispense Valve for Quality Bead Dispensing

### Hand-held Information

- 965767 Hand-held with Internal Air Switch**  
Aluminum Wetted Parts
- 965768 Hand-held valve with Electric Switch for Remote Operation**  
Aluminum wetted parts

### Machine Mount Information

- 965766 Machine Mount 1K Ultra-Lite Dispense Valve**  
SST wetted parts
- 965786 Machine Mount 1K Ultra-Lite Dispense Valve**  
Aluminum wetted parts
- 243482 Machine Mount 1K Ultra-Lite Dispense Valve**  
SST wetted parts, includes 45° outlet for use with PrecisionSwirl orbiter.
- 243666 Machine Mount 1K Ultra-Lite Straight Connection for PrecisionFlo Applications (Non-Swirl)**  
SST wetted parts, non-adjusting fluid needle

### Air Signal Accessories

- 104661 Quick Exhaust Valve**  
1/8 npt(f) inlet and outlet, 1/4 npt(f) exhaust. Used to speed up opening or closing action of the 1K Ultra-Lite
- 104632 Pump Pilot Valve**  
1/2 npt(f) line ports, 1/8 npt(f) pilot port. 3-way air piloted air valve to turn air powered proportioning pump on with hand gun signal

### 4-Way Solenoids and Solenoid Accessories

- 626144 Manifold**  
To direct mount solenoid to 1K Ultra-Lite Valve.
- 551317 24 Volt dc Solenoid**  
For use with 626144 Manifold
- 551348 24 Volt dc Solenoid**  
Remote mount, 1/8 npt(f) ports
- 551350 24 Volt dc Din Plug**  
With screw terminals for above solenoids

### Plastic Tube Fittings to Connect Air Signals

Tube OD	1/8 npt(m) Straight	1/8 npt(m) 90° Swivel
1/8 in	598329	
5/32 in	104172	598140
1/4 in		597151

Tube OD	1/4 npt(m) Straight	1/4 npt(m) 90° Swivel
5.32 in	598252	598327
5/32 in	104165	598156

### Plastic Tubing for Air Signal Lines

- 513063** 1/8 O.D. Nylon  
**514607** 5/32 O.D. Nylon  
**513231** 1/4 O.D. Nylon

### Kits

- 949631 Conversion Kit**  
Pneumatic 4-way valve with housing, handle, and trigger and other parts necessary to convert 965766 automatic valve to a hand-held valve
- 949632 Conversion Kit**  
Electric switch style handle kit to convert 965766 to a hand-held valve
- 570267 Seal Kit**  
Polymite main packing (standard)
- 570268 Rebuild Kit (includes 570267 Seal Kit)**  
Polymite main packing (standard)
- 570299 Seal Kit**  
PTFE main packing (optional)
- 570300 Rebuild Kit (includes 570299 Seal Kit)**  
PTFE main packing (optional)