

CVA-10 Vertical style dispense head articulating arm.



For Maximum Operator Flexibility.

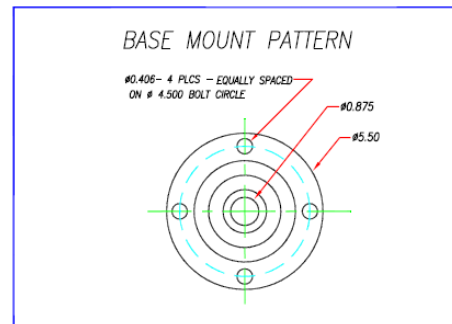
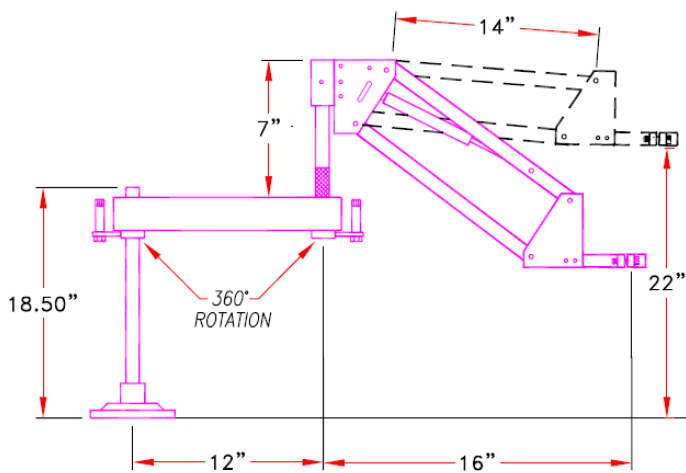
By taking the load of valve weight and hose torque, the fully adjustable CVA 10 enables operators to easily target, focus, position and move the dispense head directly over intricate parts, to deliver precise volumes and flows without mess or operator fatigue. Vertically and horizontally adjustable.

Optional custom valve mounts and weight balancers are also available for most standard dispense valves.

Specifications:

- Working Range 8 to 28 in (20 to 71 cm)
- Max. Dispense Head Weight: 10 lb (4.5 kg)

CVA-10 ASSEMBLER WORKING RANGE 8"–28"



- * STANDARD MOUNT ACCOMMODATES 1"–2" DIAMETER TOOLS.
- * PROVIDE TOTAL WEIGHT TO COUNTER BALANCE WHEN ORDERING
- * MAX CAPACITY IS 12#

Ordering Information and Technical Assistance 866 967 4660